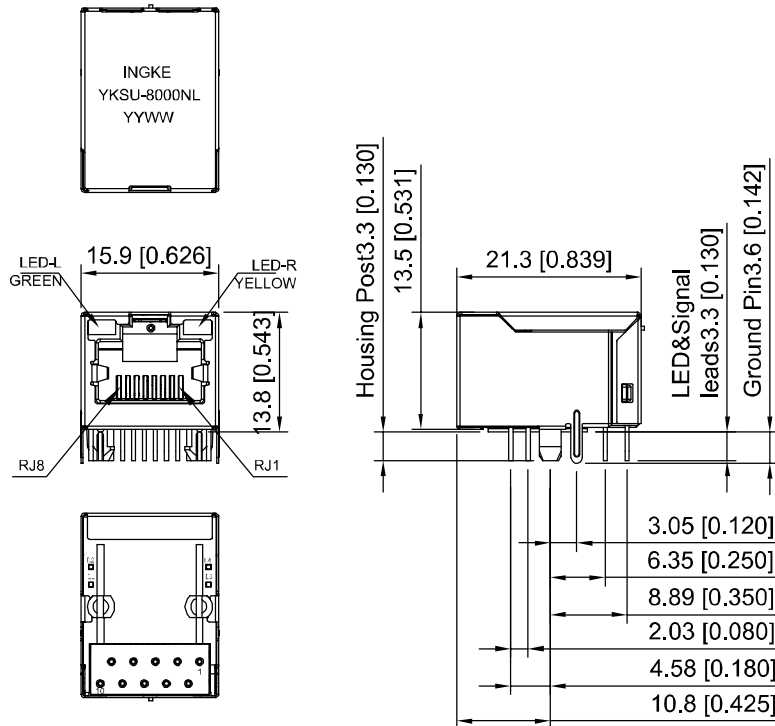


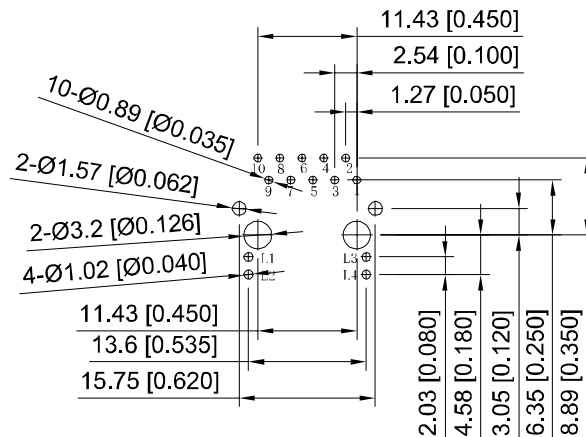


1.MECHANICAL:



- a. Units:mm/inch.
- b. Unless otherwise specified all tolerances are:±0.25[0.010]
- c. Pin length don't include solder point

2.RECOMMENDED PCB LAYOUT



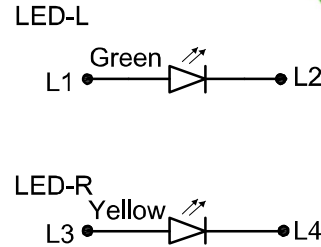
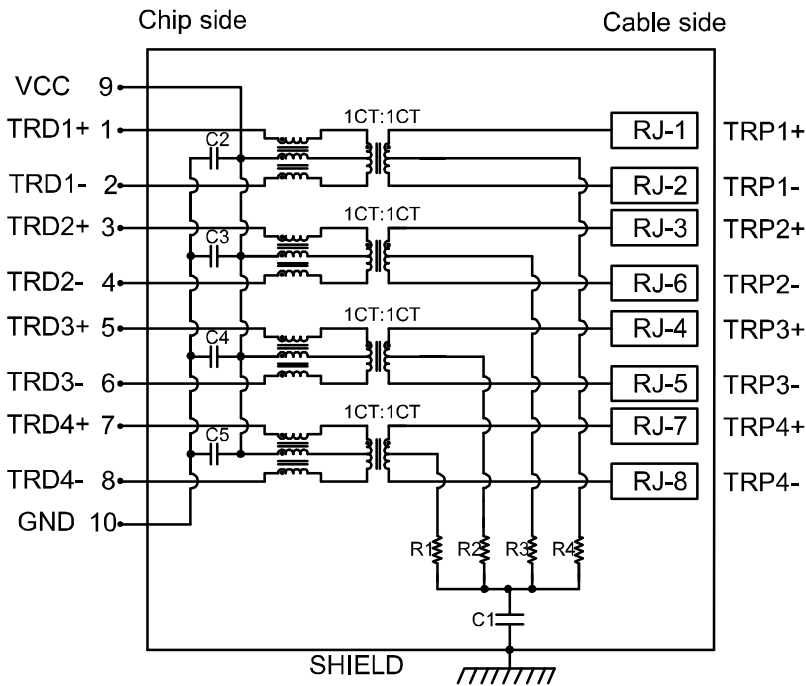
Top View Customer Board (COMP Side)

- a. Units:mm/inch.
- b. Unless otherwise specified all tolerances are:±0.05[0.002]

Materials and Finish:

- 2.1 Housing: PBT,BK, Flammability Rating 94V-0.
- 2.2 Insert Base: PBT,BK, Flammability Rating 94V-0.
- 2.3 Shell: Brass, nickel plating.
- 2.4 Mold Jack Contacts: Phosphor Bronze,6u" Gold Plated.
- 2.5 LED: Diffused Epoxy Lens, 0.5x0.5mm Carbon Steel wireframe leads.

3.SCHEMATIC:



Note:
R1-R4=75 OHMS, Resistors.
C1=2KV 1000pF, Capacitor.
C2-C5=100V 100nF, Capacitor.
LED is with constant current at approx 20mA.
LED color:
Dominant wavelength(AD):
Green=565nm TYP. at IF=20mA;
forward voltage(VF): Green 2.2V TYP,at IF=20mA;
Dominant wavelength(AD):
Yellow=585nm TYP. at IF=20mA;
forward voltage(VF): Yellow 2.1V TYP,at IF=20mA;

4. ELECTRICAL SPECIFICATION @ 25 °C

Item	Specification	Test Condition
Application	2.5G BASE-T	
Inductance	160μH Min	100KHz 0.1V @ 0°C to +70°C
Leakage Inductance	0.3μH Max	100KHz 0.1V
DC Resistance	1.5Ω Max	
Turns Ratio	1CT:1CT (All Four Pairs)	100KHz 0.1V
Insertion Loss	-0.5 dB Min	1-50 MHz
	-1.0 dB Min	50-125 MHz
Return Loss	-20dB Max	1-40 MHz
	-20+15log(f/40)dB Max	40-200 MHz
Cross Talk	-30dB Max	25-125 MHz
Isolation Hi-pot: (Complies with IEEE 802.3 isolation requirements)	1mA Max	2250VDC
Operating Temperature	0°C to +70°C	