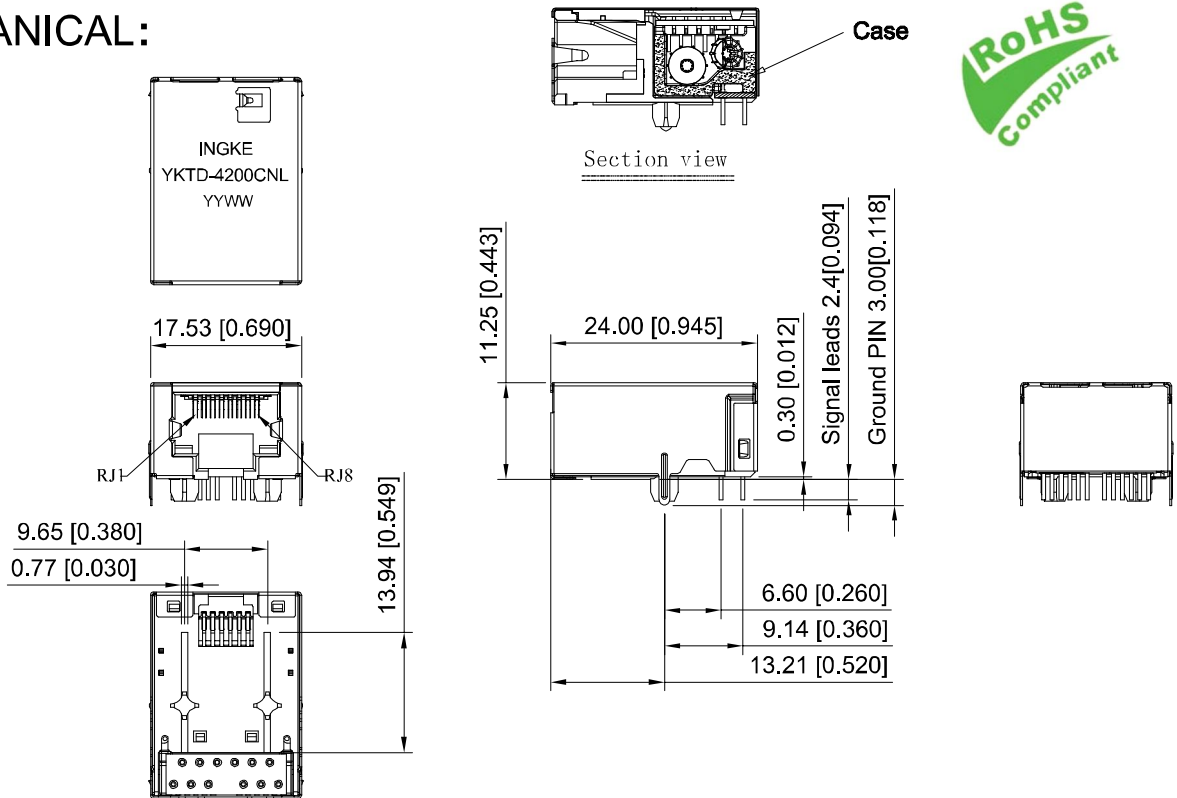


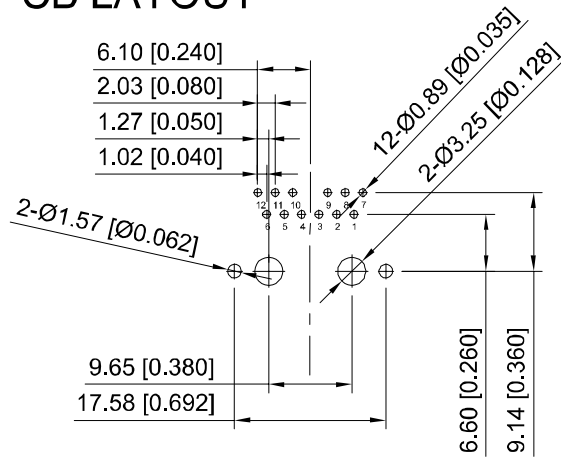


1.MECHANICAL:



- a. Units:mm/inch.
- b. Unless otherwise specified all tolerances are:±0.25[0.010]
- c. Pin length don't include solder point

2.RECOMMENDED PCB LAYOUT



Top View Customer Board (COMP Side)

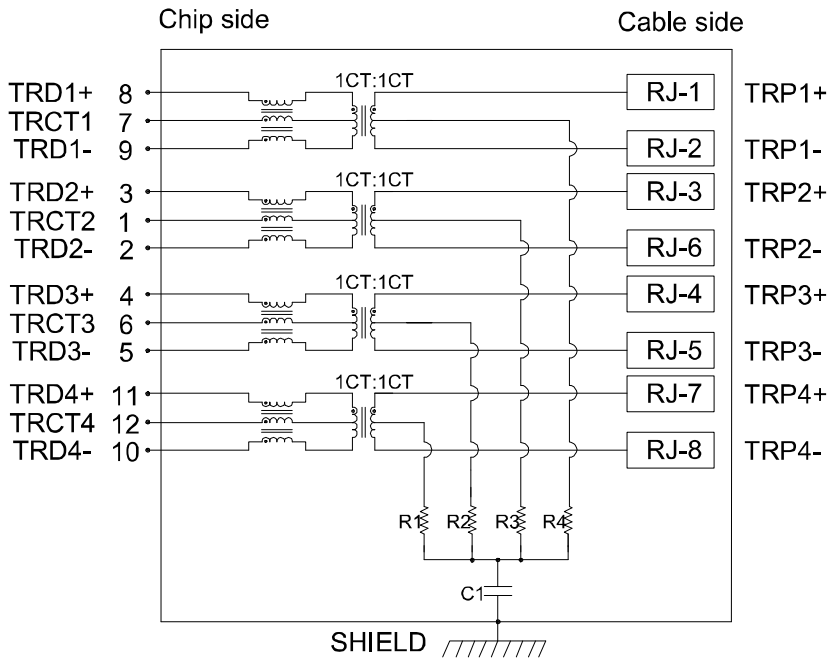
- a. Units:mm/inch.
- b. Unless otherwise specified all tolerances are:±0.05[0.002]

Materials and Finish:

- 2.1 Housing: LCP,BK, Flammability Rating 94V-0.
- 2.2 Insert Base: LCP,BK, Flammability Rating 94V-0.
- 2.3 Shield: Brass, nickel plating.
- 2.4 Mold Jack Contacts: Phosphor Bronze, 50u" Gold Plated.



3.SCHEMATIC:



Note:
R1-R4=75 OHMS, Resistors.
C1=1000pF/2KV, Capacitor.

4.ELECTRICAL SPECIFICATION @ 25 °C

Item	Specification	Test Condition
Application	10G BASE-T	
Inductance	200 μ H Min	100KHz 0.1V @ 0°C to +70 °C
Leakage Inductance	0.3 μ H Max	100KHz 0.1V
DC Resistance	1.5 Ω Max	
Turns Ratio	1CT:1CT (All Four Pairs)	100KHz 0.1V
Insertion Loss	-3.0 dB Min	1-500 MHz
Return Loss	-22dB Max	1-100 MHz
	-22+18.27log(f/100)dB Max	100-500 MHz
Cross Talk	-28dB Max	1-100 MHz
	-19dB Max	100-500 MHz
Isolation Hi-pot: (Complies with IEEE 802.3 isolation requirements)	1mA Max	2250VDC
Operating Temperature	0°C to +70°C	