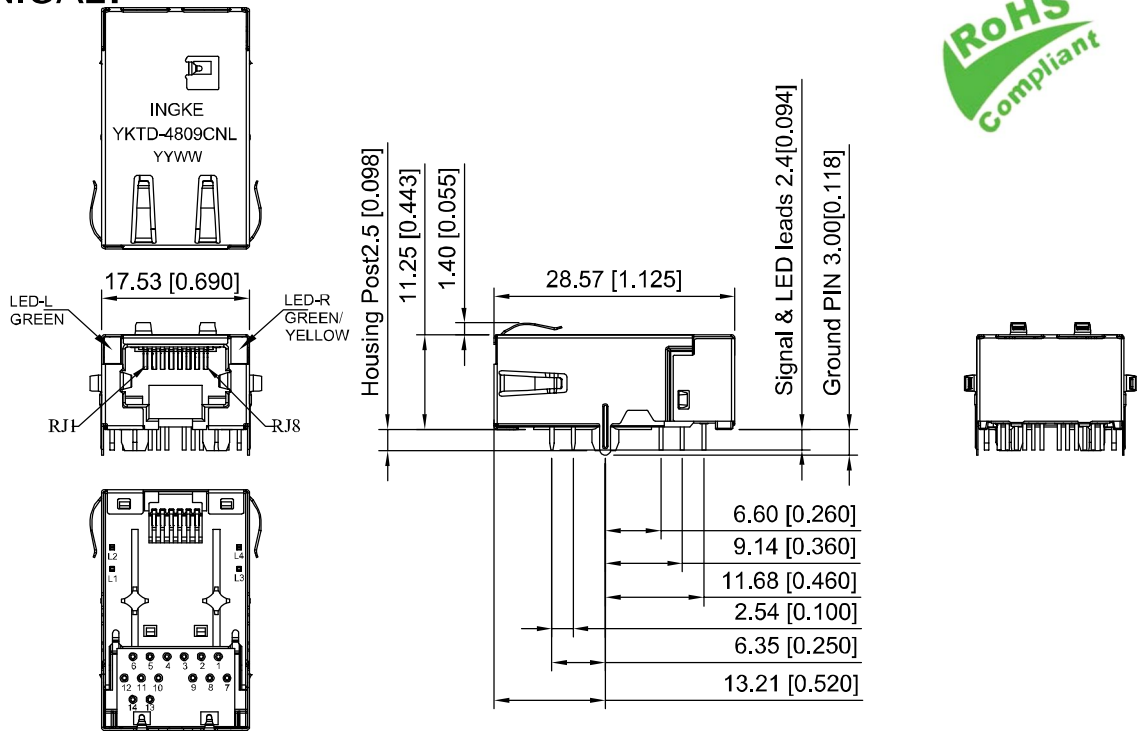
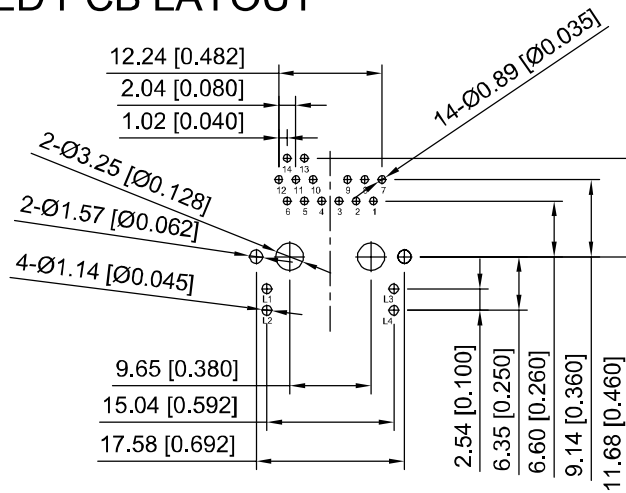


1.MECHANICAL:



- a. Units:mm/inch.
- b. Unless otherwise specified all tolerances are:±0.25[0.010]
- c. Pin length don't include solder point

2.RECOMMENDED PCB LAYOUT



Top View Customer Board (COMP Side)

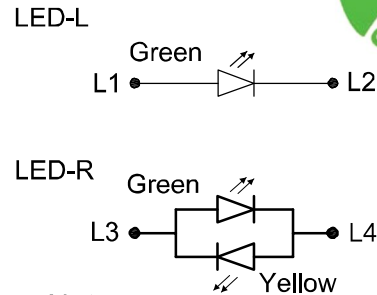
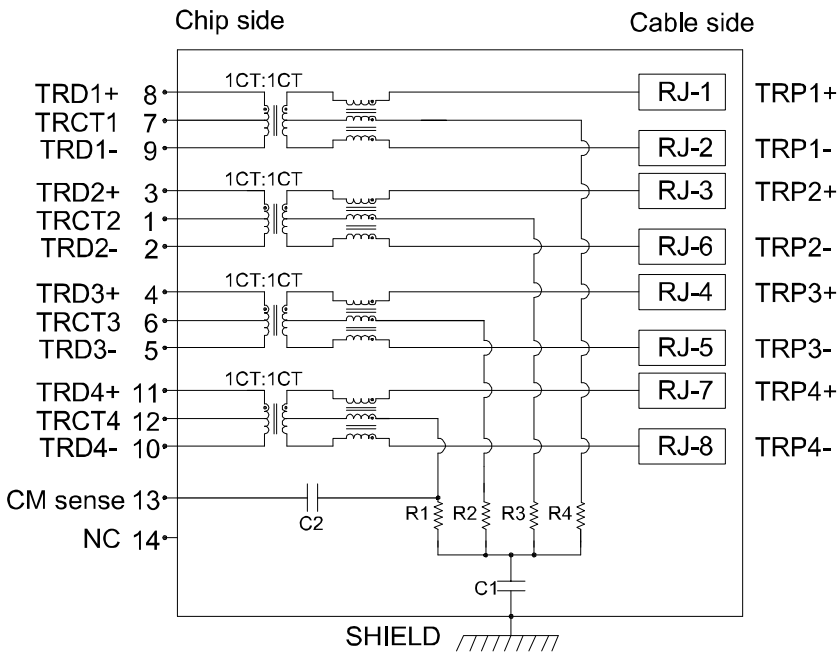
- a. Units:mm/inch.
- b. Unless otherwise specified all tolerances are:±0.05[0.002]

Materials and Finish:

- 2.1 Housing: LCP,BK, Flammability Rating 94V-0.
- 2.2 Insert Base: LCP,BK, Flammability Rating 94V-0.
- 2.3 Shell: Brass, nickel plating.
- 2.4 Mold Jack Contacts: Phosphor Bronze, 50u" Gold Plated.
- 2.5 LED: Diffused Epoxy Lens, 0.5X1.5mm Carbon Steel wireframe leads.



**3.SCHEMATIC:**



**Note:**  
R1-R3=75 OHMS, Resistors.  
C1=3KV 1000pF, Capacitor.  
C2=2KV 10nF, Capacitor.  
LED is with constant current at approx 20mA.  
LED color:  
Dominant wavelength( $\lambda$ D):  
Green=565nm TYP. at IF=20mA;  
forward voltage(VF):  
Green 2.2V TYP,at IF=20mA;  
Dominant wavelength( $\lambda$ D):  
Yellow=585nm TYP. at IF=20mA;  
forward voltage(VF):  
Yellow 2.1V TYP,at IF=20mA;

**ELECTRICAL SPECIFICATION @ 25 °C**

Item	Specification	Test Condition
Application	10G BASE-T	
Inductance	180 $\mu$ H Min	100KHz 0.1V @ 0°C to +70 °C
Leakage Inductance	0.3 $\mu$ H Max	100KHz 0.1V
DC Resistance	1.5 $\Omega$ Max	
Turns Ratio	1CT:1CT (All Four Pairs)	100KHz 0.1V
Insertion Loss	-3.0 dB Min	1-500 MHz
Return Loss	-22dB Max	1-100 MHz
	-22+18.27log(f/100)dB Max	100-500 MHz
Cross Talk	-28dB Max	1-100 MHz
	-19dB Max	100-500 MHz
Isolation Hi-pot: (Complies with IEEE 802.3 isolation requirements)	1mA Max	2250VDC
Operating Temperature	0°C to +70 °C	