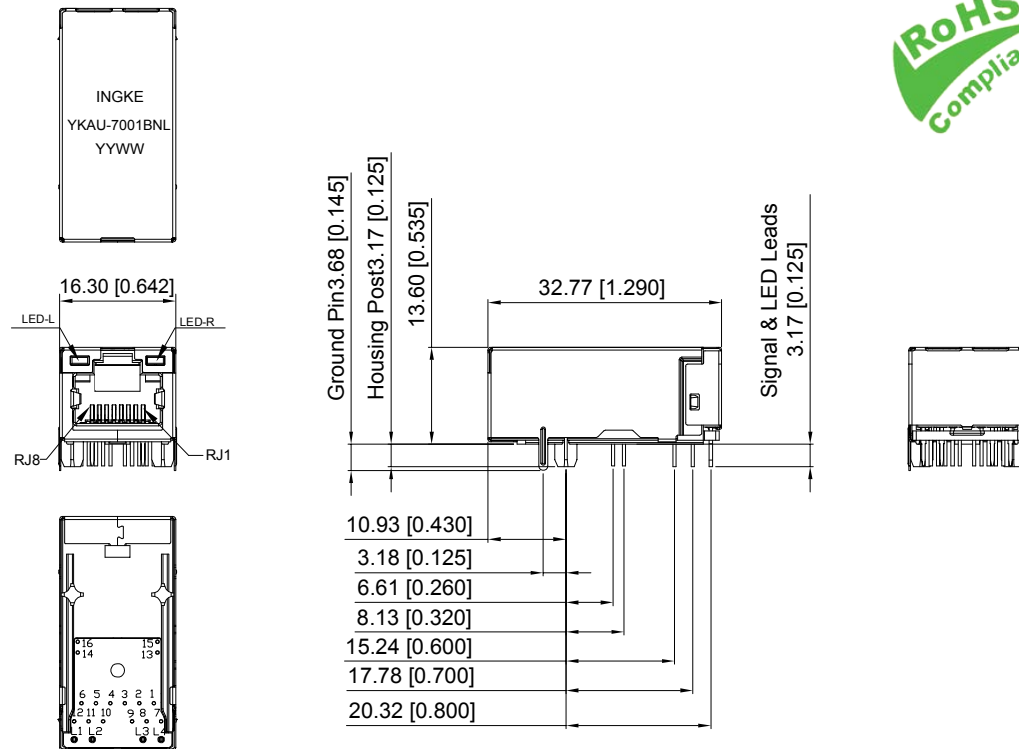
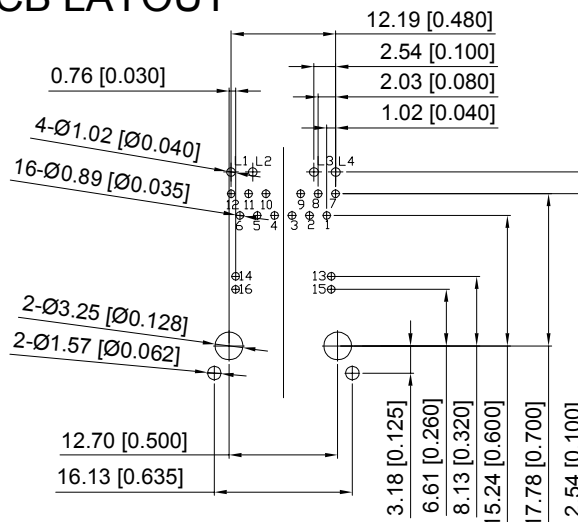


1.MECHANICAL:



- a. Units:mm/inch.
- b. Unless otherwise specified all tolerances are:±0.25[0.010]
- c. Pin length don't include solder point

2.RECOMMENDED PCB LAYOUT



Top View Customer Board (COMP Side)

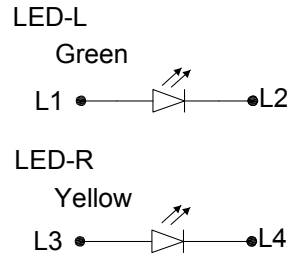
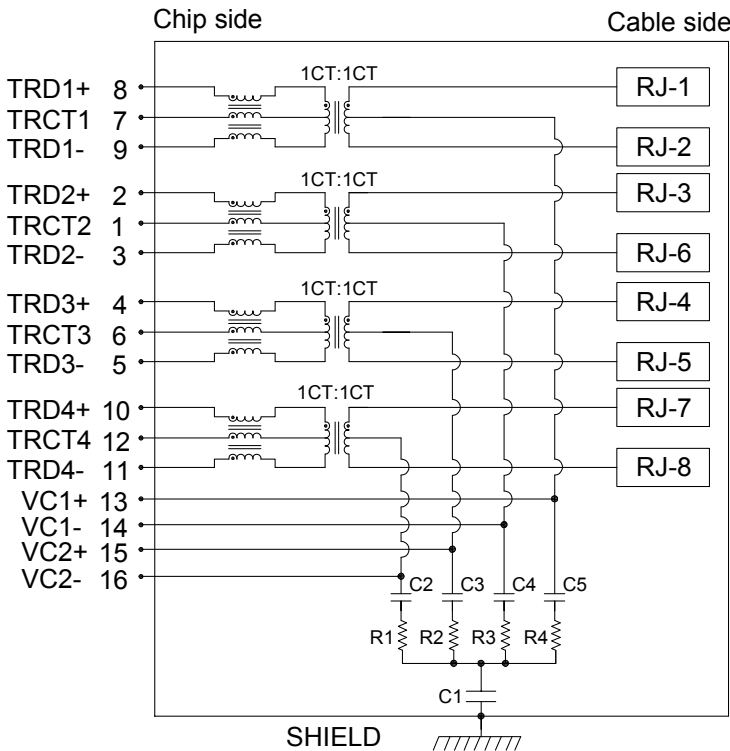
- a. Units:mm/inch.
- b. Unless otherwise specified all tolerances are:±0.05[0.002]

Materials and Finish:

- 2.1 Housing: PBT,BK, Flammability Rating 94V-0.
- 2.2 Insert Base: LCP,BK, Flammability Rating 94V-0.
- 2.3 Shell: Brass, nickel plating.
- 2.4 Mold Jack Contacts: Phosphor Bronze, 30u"Gold Plated.
- 2.5 LED: Diffused Epoxy Lens, 0.5x0.5mm Carbon Steel wireframe leads.



### 3.SCHEMATIC:



Note:  
R1-R4=75 OHMS, Resistors.  
C1=2.5KV 1.0nF, Capacitor.  
C2-C5=100V 22nF, Capacitor.  
LED is with constant current at approx 20mA.  
LED color:  
Dominant wavelength( $\lambda_D$ ): Green=565nm TYP.  
at IF=20mA; forward voltage(VF):  
Green 2.2V TYP, at IF=20mA;  
Dominant wavelength( $\lambda_D$ ): Yellow=585nm TYP.  
at IF=20mA; forward voltage(VF):  
Yellow 2.1V TYP, at IF=20mA;  
Balanced DC line current  
900 mA Max@57VDC Continuous  
1.2A Max@57VDC for 200 milliseconds

### 4. ELECTRICAL SPECIFICATION @ 25 °C

Item	Specification	Test Condition
Application	5G BASE-T & PoE Plus+	
Inductance	180 $\mu$ H Min	100KHz 0.1V @ 0°C to +70°C
Leakage Inductance	0.3 $\mu$ H Max	100KHz 0.1V
DC Resistance	1.5 $\Omega$ Max	
Turns Ratio	1CT:1CT (All Four Pairs)	100KHz 0.1V
Insertion Loss	-0.5 dB Min	1-50 MHz
	-1.0 dB Min	50-125 MHz
	-2.0 dB Min	125-250 MHz
Return Loss	-20 dB Max	1-40 MHz
	-20+15log(f/40)dB Max	40-250 MHz
Cross Talk	-30 dB Max	1-125 MHz
	-25 dB Max	125-250 MHz
Isolation Hi-pot: (Complies with IEEE 802.3 isolation requirements)	1mA Max	2250VDC
Operating Temperature	0°C to +70°C	