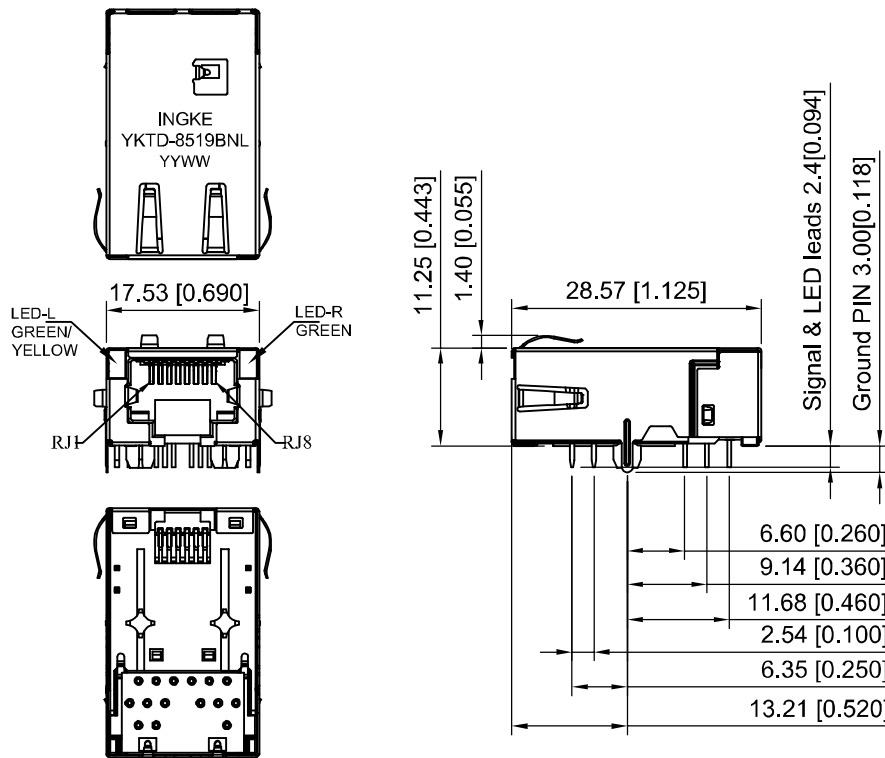
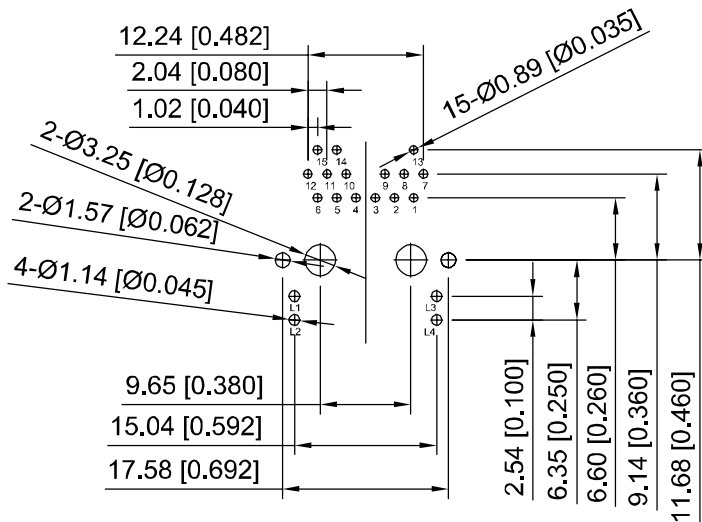


1.MECHANICAL:



- a. UNITS:mm/inch.
- b. UNLESS OTHERWISE SPECIFIDE ALL TOLERANCES ARE:±0.25MM
- c. PIN LENGTH DON'T INCLUDE SOLDER POINT

2.RECOMMENDED PCB LAYOUT



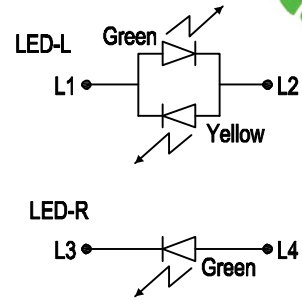
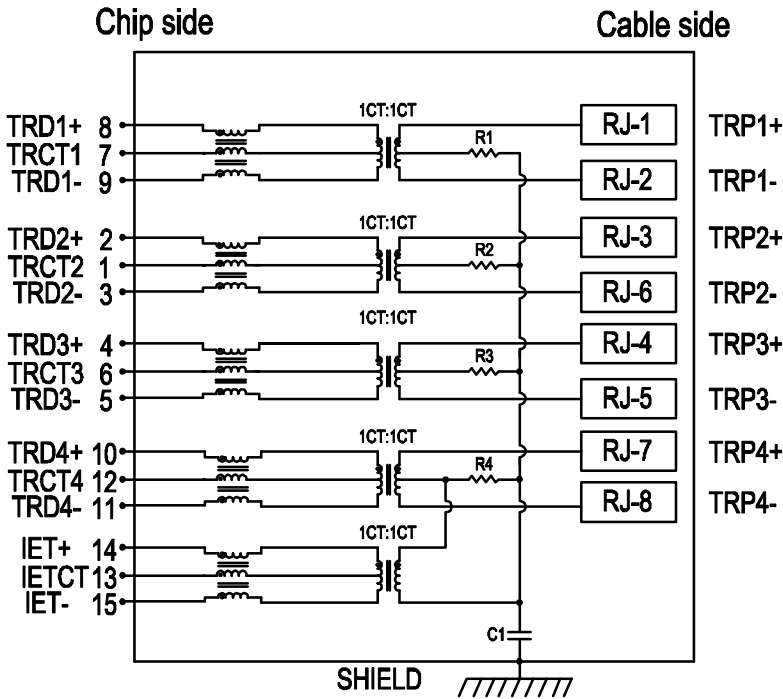
Top View Customer Board (COMP Side)

- a. UNITS:mm/inch.
- b. UNLESS OTHERWISE SPECIFIDE ALL TOLERANCES ARE:±0.05MM

Materials and Finish:

- 2.1 Housing: LCP,BK, Flammability Rating 94V-O.
- 2.2 Insert Base: LCP,BK, Flammability Rating 94V-O.
- 2.3 Shell: Brass, nickel plating.
- 2.4 Mold Jack Contacts: Phosphor Bronze, 30u" Gold Plated.
- 2.5 LED: Diffused Epoxy Lens, 0.5x0.5mm Carbon Steel wireframe leads.

3.SCHEMATIC:



Note:  
R1-R3=75 OHMS, Resistors.  
R4=300 OHMS, Resistors.  
C1=2KV 1000pF, Capacitor.  
LED is with constant current at approx 20mA.  
LED color:  
Dominant wavelength( $\lambda_D$ ):  
Green=565nm TYP. at IF=20mA;  
forward voltage(VF): Green 2.2V TYP, at IF=20mA;  
Dominant wavelength( $\lambda_D$ ):  
Yellow=585nm TYP. at IF=20mA;  
forward voltage(VF): Yellow 2.1V TYP, at IF=20mA;

4.ELECTRICAL SPECIFICATION @ 25°C

Item	Specification	Test Condition
Application	10G BASE-T	
Inductance	160 $\mu$ H Min	100KHz 0.1V Bias @ 0°C to +70°C
Leakage Inductance	0.3 $\mu$ H Max	100KHz 0.1V
DC Resistance	1.5 $\Omega$ Max	
Turns Ratio	1CT:1CT(All Four Pairs)	100KHz 0.1V
Insertion Loss	-0.8 dB Min	1-20 MHz
	-1.0 dB Min	20.1-50 MHz
	-1.2 dB Min	50.1-200 MHz
	-2.0 dB Min	200.1-400 MHz
	-3.0 dB Min	400.1-500 MHz
Return Loss	-22dB Max	1-100 MHz
	-22+18.27log(f/100)dB Max	100-500 MHz
Cross Talk	-28dB Max	1-100 MHz
	-19dB Max	100-500 MHz
Isolation Hi-pot: (Complies with IEEE 802.3 isolation requirements)	1mA Max	2250VDC
Operating Temperature	0°C to +70°C	